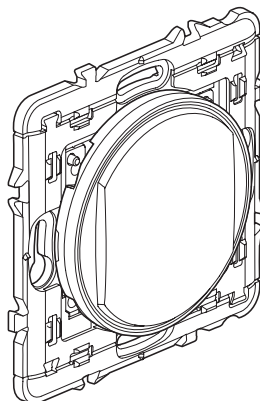


Wireless and batteryless lighting control

Catalogue number(s) : 0 677 23L/73L/79L
 0 770 53L - 6 000 83L
 5 742 10/39/55 - 5 743 24
 7 418 13L/43L/73L



1. USE

Wireless control, batteryless, for ON/OFF lighting function.

Controls the connected lighting micromodules, socket-outlets and dimmer-switches.

- Can be used as 2 ways switch or group lighting control.
- Can be fixed directly to a wall, screwed to an electric flush mounting box or placed on a cabinet.
- Can be combined in multigangs with other wiring devices except in Arteor.
- Can control up to 20 connected products

2. RANGE

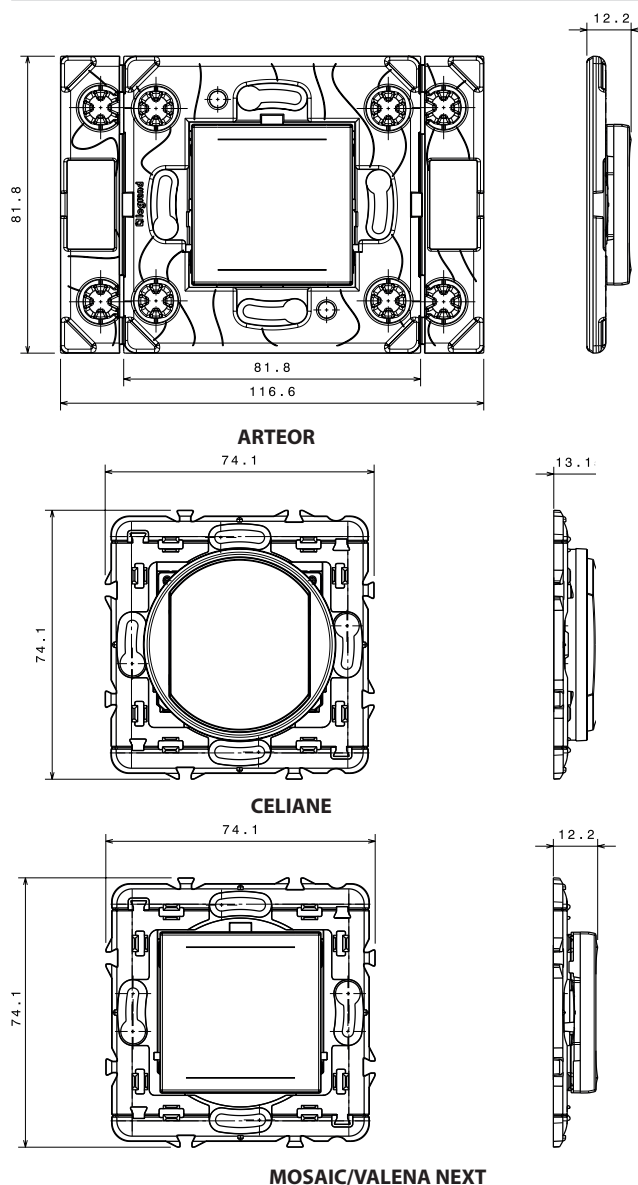
Delivered without plate.

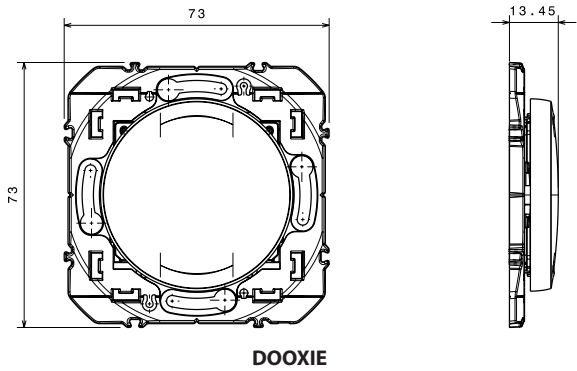
Equipped with a button used to configure the product.

Repositionable self-adhesive stickers (x2 supplied)

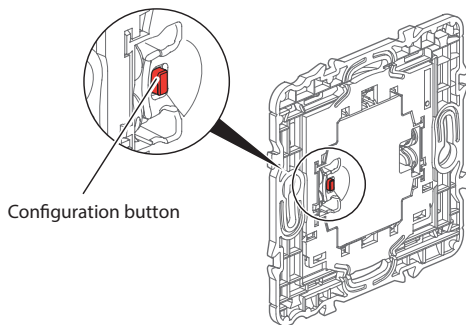
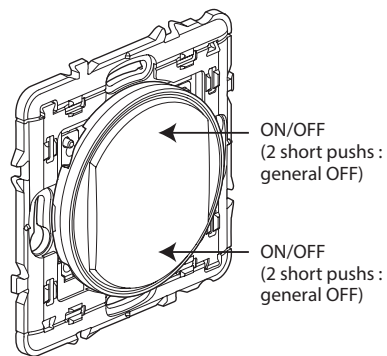
| RANGE | COLOR | CAT. NUMBER |
|-------------|-----------|-------------|
| CELIANE | White | 0 677 23L |
| CELIANE | Titanium | 0 677 73L |
| CELIANE | Graphite | 0 677 79L |
| MOSAIC | White | 0 770 53L |
| DOOXIE | White | 6 000 83L |
| ARTEOR | Aluminium | 5 742 10 |
| ARTEOR | White | 5 742 39 |
| ARTEOR | Champagne | 5 742 55 |
| ARTEOR | Magnesium | 5 743 24 |
| VALENA NEXT | White | 7 418 13L |
| VALENA NEXT | Aluminium | 7 418 43L |
| VALENA NEXT | Black | 7 418 73L |

3. DIMENSIONS (MM)





4. OPERATION



5. TECHNICAL CHARECTERISTICS

5.1 Mechanical characteristics

Impact protection : IK 02
 Protection again solid/liquid bodies : IP 20 without plate
 IP 40 assembled product

5.2 Material caractéristiques

Rocker :
 white : ABS
 Color : ABS + paint
 Mechanism box with support : Charged PC 10 % fiberglass
 Halogen free
 UV resistant
 Self-extinguishing : 650° C / 30 s

5.3 Electrical characteristics

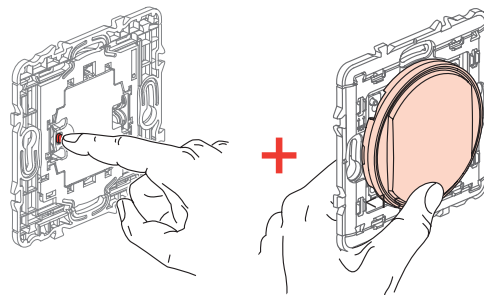
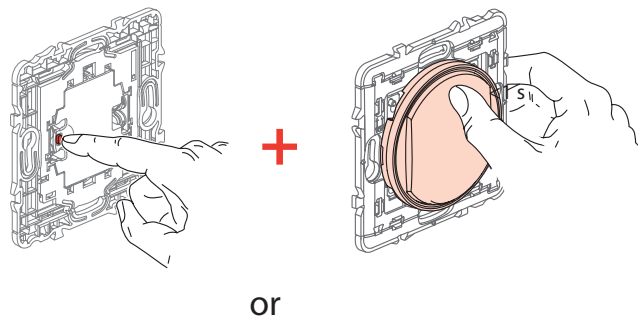
Self powered
 Radio technology zigbee frequency 2,4 GHz to 2,4835 GHz
 RADIO Performance : Minimum range 150 m in point-to-point link and free field
 Power level : < 20 mW
 Zigbee Canal by default : 11
 Technology: Zigbee PRO Certified, Green Power feature (bidirectional communication : not supported).

5.4 Climatic characteristics

Use temperature : + 5° C to + 45° C
 Storage temperature : 0° C to + 45° C

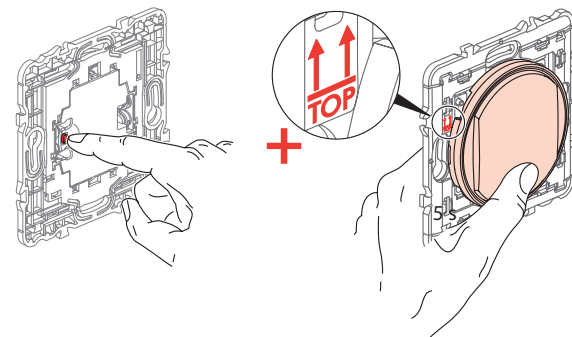
6. PROGRAMMATION

6.1 ASSOCIATION



While holding the «setup» button on the wireless, batteryless control, briefly press the «ON» or «OFF» button on the wireless batteryless control.

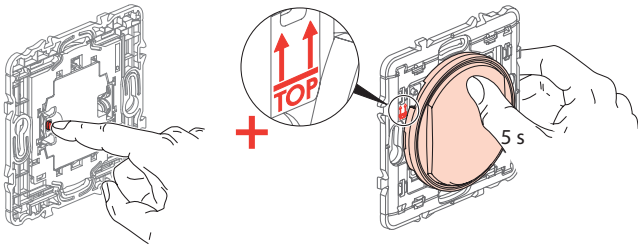
6.2 CHANNEL CHANGE



While holding the «setup» button on the wireless, batteryless control, press the lower button on the wireless batteryless control for 5 seconds.

Details and order of channel changes : (**FACTORY : 11**) 15, 20, 25, 12, 13, 14, 16, 17, 18, 19, 21, 22, 23, 24, 26, 11, 15, 20, ...

6.3 BACK IN FACTORY MODE (DISASSOCIATION + BACK ON CHANNEL 11)



While holding the «setup» button on the wireless, batteryless control, press the upper button for 5 seconds. Check that your control is correctly reset by making an «ON» command, then «OFF».

Additional Zigbee documentation is available at «developer.legrand.com».

7. CARE

Clean the surface with a cloth.

Do not use acetone, tar-removing cleaning agents or trichloroethylene.

Resistant to the following products: Hexane (EN 60669-1), methylated spirit, soapy water, diluted ammonia, bleach diluted to 10%, window-cleaning products, pre-impregnated wipes.

Caution : Always test before using special cleaning products, a prior test is required

Must not be painted.

8. ACCESSORIES

0 648 71: Repositionable adhesive for wireless control

9. STANDARDS AND APPROVALS

The undersigned, LEGRAND, declares that the radio-electric equipment type (0 677 23L/73L/79L - 0 770 53L - 6 000 83L - 5 742 10/39/55 - 5 743 24 - 7 418 13L/43L/73L) complies with directive 2014/53/EU.

The full text of the EU declaration of conformity is available on the following website: www.legrandoc.com



Model : ZLGP17