

52100010	DATA SHEET	
Valid from: 03.07.2018	SKINDICHT® ZS / ZS-XL	

SKINDICHT® ZS / ZS-XL are a gland body with an external and internal PG-thread. It can be used as an extension part or a spare part.



Technical features:

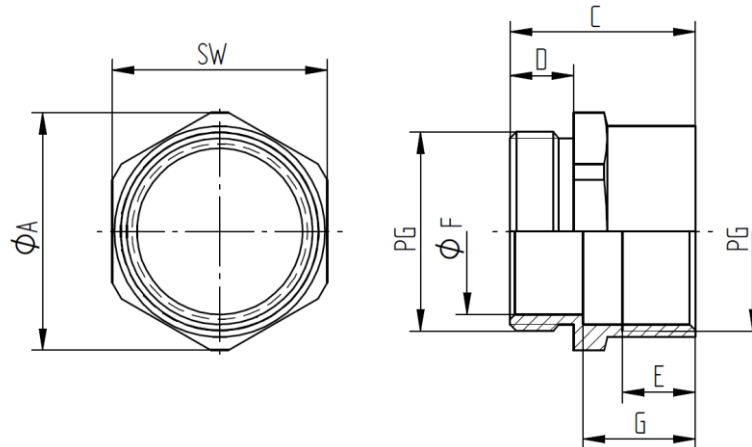
Material	Brass, nickel-plated
External thread	PG7 up to PG48 acc. to DIN 40430
Internal thread	PG7 up to PG48 acc. to DIN 40430
Design	ZS Standard ZS-XL with a long connecting thread
Temperature range	-60°C up to +200°C

Norm references:



Creator: M. Wegerer /PDP Released: DAMU1/PDP	Document: DB52100010EN Version: 02	Page 1 of 2
---	---------------------------------------	-------------

52100010	DATA SHEET	
Valid from: 03.07.2018	SKINDICHT® ZS / ZS-XL	



SKINDICHT® ZS

External thread PG	Wrench Size SW mm	Diameter Ø A mm	Length C mm	Thread Length D mm	Thread Length E mm	Length G mm	Diameter Ø F mm	Article No.
PG 7	14	15,5	15	5	6	9	10	52100010
PG 9	17	18,9	16,5	6	7	9,5	12,5	52100020
PG 11	20	22,2	17	6	7	10	15	52100030
PG 13,5	22	24,4	19	6,5	7,5	11,5	17	52100040
PG 16	24	26,7	20	6,5	7,5	12,5	18,5	52100050
PG 21	30	33,5	22	7	8,5	13,5	24	52100060
PG 29	40	43,5	24,5	8	9	15	32	52100070
PG 36	50	54	28,5	9	12	17,5	42	52100080
PG 42	57	61	32	10	15	20	48	52100090
PG 48	64	69	33	10	17	21	52,5	52100100

SKINDICHT® ZS-XL

External thread PG	Wrench Size SW mm	Diameter Ø A mm	Length C mm	Thread Length D mm	Thread Length E mm	Length G mm	Diameter Ø F mm	Article No.
PG 7	14	15,5	25	15	6	9	10	52023149
PG 9	17	18,9	25,5	15	7	9,5	12,5	52020940
PG 11	20	22,2	26	15	7	10	15	52020930
PG 13,5	22	24,4	27,5	15	7,5	11,5	17	52020950
PG 16	24	26,7	28,5	15	7,5	12,5	18,5	52020960
PG 21	30	33,5	30	15	8,5	13,5	24	52020970
PG 29	40	43,5	31,5	15	9	15	32	52020980
PG 36	50	54	34,5	15	12	17,5	42	52020990
PG 42	57	61	37	15	15	20	48	52021000
PG 48	64	69	38	15	17	21	52,5	52021010

For more information please see our current catalogue. Please do not hesitate to contact our laboratory if there are any questions regarding resistance against aggressive agents and special oil.

Creator: M. Wegerer /PDP Released: DAMU1/PDP	Document: DB52100010EN Version: 02	Page 2 of 2
---	---------------------------------------	-------------