


10399800	DATA SHEET	
Valid from: 17.09.2018	EPIC® MCS/MCB 3CM-HV MODULE HIGH VOLTAGE 3 POLE	

Description

- The mixed assembly guarantees high flexibility. For applications in mechanical and plant engineering, for printing machines and slide-in technology.
- Assembly of individual connectors, suitable for different applications



General Characteristics

Series	MC Module
Number of Contacts	3
Termination Methods	Crimp termination: 0.5 – 10.0 mm ²
Temperature Range	-40°C to +100°C, short-term up to +125°C

Artikel No.	Module	VPE
10399800	Male	10
10399900	Female	10

Mechanical Characteristics

Cycles of mechanical operation	100
--------------------------------	-----

Electrical Characteristics

Rated Voltage	1000 V
Rated Current	50 A
Contact resistance	< 2 mOhm
Pollution Degree	3

Materials and Surfaces

Contact	Copper alloy, hard silver-plated
Module	PA
Flammability Class according to UL 94	V0


Approvals

UL-Approval, E-File-Number	E75770
----------------------------	--------

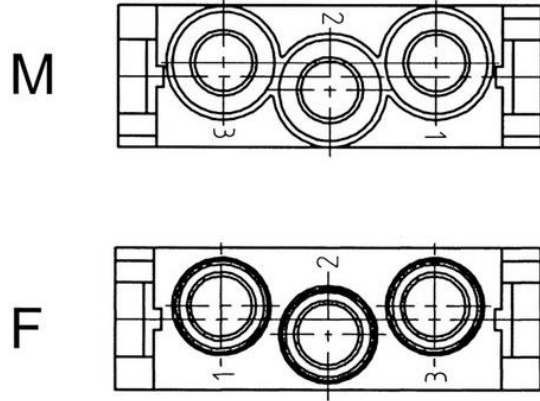
Standard

Safety Standard	IEC 61984, UL 1977
-----------------	--------------------

Creator: MANA2/PDP Released: IVSE1/PDP	Document: DB10399800EN Version: 01	Page 1 of 2
-------------------------------------------	---------------------------------------	-------------

10399800	DATA SHEET	
Valid from: 17.09.2018	EPIC® MCS/MCB 3CM-HV MODULE HIGH VOLTAGE 3 POLE	

Technical Drawing



Automation



Industrial machinery and plant engineering



Wind Energy

Info

Power and signal modules can be used together in one housing

Application range

- Plant engineering
- Printing machines
- Control engineering

Remark

Photographs are not to scale and do not represent detailed images of the respective products.

Creator: MANA2/PDP Released: IVSE1/PDP	Document: DB10399800EN Version: 01	Page 2 of 2
-------------------------------------------	---------------------------------------	-------------