



HB2 - HIGH BAY

Typology

Suspension fixture for installations in large commercial and industrial spaces; uses SMD technology.
Also available in a DALI version.

Features

It is composed of an independent power supply system connected to the body of the fixture with small columns for improved thermal management.
The optical unit is integrated into the aluminium body for perfect heat dissipation.
The fixture body can be completed with an aluminium or polycarbonate reflector to obtain a different aesthetic and antiglare effect.
Cable length: 1m

Installation

Equipped with a mounting ring for suspension installation.
Equipped with steel anti-fall safety cable.
For ceiling or wall installation order the accessory code that comprises the bracket and the relative accessories.

Material

Grooved die-cast aluminium for heat dissipation.

Applications

Professional lighting ideal for industrial environments and large indoor spaces.

Beam

Optical system consisting of an array of lens optimised for SMDs.
Different opening angle depending on the model.

Notes

Optimised design to maximise heat exchange.

220-240 Vac	Ra >80		50000 h	IP65	IK08	Free Wire	-25°C +45°C	RG1	PRO
	 120°	G5h24	FLICKER FREE						

Characteristic data

Power	200 W	Beam	120°	Dimmable	Yes	Input	220-240 Vac
Base	Free Wire	IP	65	Flux	30000 lm	PF	0,92
Tc	4000 K	Ra	>80	LED Warranty	G5h24	Axis	9300 cd
IK	IK08	RG	RG1				

Dimensional characteristics

ø	305 mm
H	124 mm
H2	168 mm

Lighting and photometric features

Beam opening	120°
Flux	30000 lm
CCT nominal colour temperature	4000 K
Colour of the light	Natural light
Colour rendering index	>80
Lifespan	50000 h
LED lifespan	L70B20

Electrical characteristics

Rated power	200 W
Input voltage	220-240 Vac
Frequency	50-60 Hz
Dimmable	Yes
Power factor (PF)	0,92
Operating temperature	-25°C / +45°C

Photometry

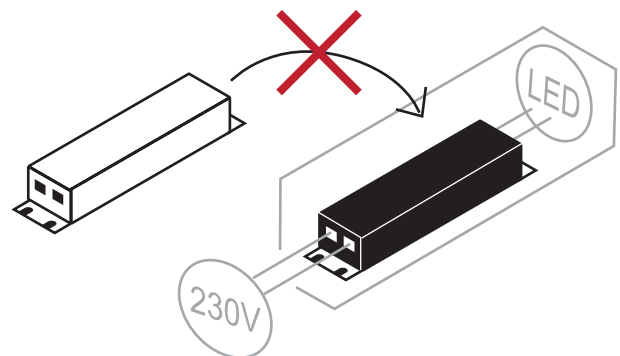
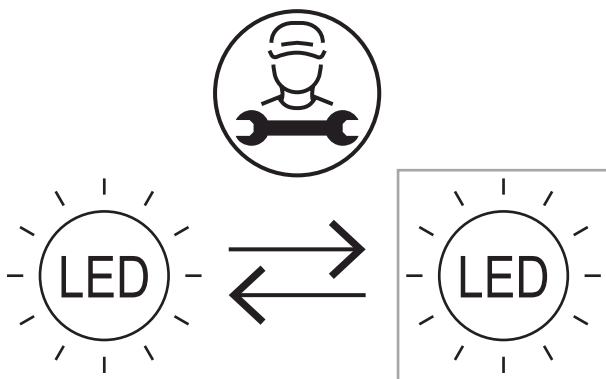


	4000K	H(m)	D(m)	E _{max} (lx)
	Ra80		113°	
Fixture Power	200W	1	3.04	10757
Source Flux	30000lm	2	6.08	2689
Fixture Flux	30000lm	3	9.13	1195
Efficacy	150lm/W	4	12.17	672
929466 I _{max} =359cd/klm	I _{max}	5	15.21	430

EuLumDat file on the site

Other Infotech

Flicker Free	Yes
Light source replaceability	Replaceable (LED only) light source by a professional.
Control gear replaceability	Non-replaceable control gear.



LED Warranty

G5h24	Full Guarantee 5 years (24h/24h) Without limitations on the duration of use for the first year, provided the observance of the installation conditions.
-------	---

European Directives

2009/125/EC * Ecodesign
 2011/65/EU * RoHS
 2012/19/EU * RAEE
 2014/30/EU * EMC (Compatibilità Elettromagnetica)
 2014/35/EU * LVD (Bassa Tensione)
 2015/863 * Amending RoHS
 2017/1369 * Regulation for Energy Labelling
 2019/2015 * Regulation for Energy Labelling
 2019/2020 * Regulation for Ecodesign
 2021/340 * Amending Reg. Energy Labelling
 2021/341 * Amending Reg. Ecodesign

Product standards

CEI EN 55015:2020 (+A11:2020)
 CEI EN 60598-1:2022
 CEI EN 60598-2-1:2022
 CEI EN 61000-3-2:2019 (+A1:2021)
 CEI EN 61000-3-3:2014 (+EC1:2014/+EC2:2016/+A1:2021/+A2:2022)
 CEI EN 61547:2010
 CEI EN 62031:2021 (+A11:2022)
 CEI EN 62471:2010
 IEC/TR 62471-2:2009
 CEI EN 62493:2015
 CEI 34-141:2014

Logistics data

Item net weight	3800 gr
Barcode single item	8011905933180
Minimum order quantity	1