



HB2 - HIGH BAY

Typology

Suspension fixture for installations in large commercial and industrial spaces; uses SMD technology.
Also available in a DALI version.

Features

It is composed of an independent power supply system connected to the body of the fixture with small columns for improved thermal management.
The optical unit is integrated into the aluminium body for perfect heat dissipation.
The fixture body can be completed with an aluminium or polycarbonate reflector to obtain a different aesthetic and antiglare effect.
Cable length: 1m

Installation

Equipped with a mounting ring for suspension installation.
Equipped with steel anti-fall safety cable.
For ceiling or wall installation order the accessory code that comprises the bracket and the relative accessories.

Material

Grooved die-cast aluminium for heat dissipation.

Applications

Professional lighting ideal for industrial environments and large indoor spaces.

Beam

Optical system consisting of an array of lens optimised for SMDs.
Different opening angle depending on the model.

Notes

Optimised design to maximise heat exchange.

| | | | | | | | | | |
|-------------|--------|-------|---------|------|------|-----------|----------------|-----|-----|
| 220-240 Vac | Ra >80 | | 50000 h | IP65 | IK08 | Free Wire | -25°C +45°C | RG1 | PRO |
| | | G5h24 | | | | | | | |

Characteristic data

| | | | | | | | |
|-------|-----------|------|------|--------------|----------|-------|-------------|
| Power | 100 W | Beam | 120° | Dimmable | Yes | Input | 220-240 Vac |
| Base | Free Wire | IP | 65 | Flux | 15000 lm | PF | 0,9 |
| Tc | 4000 K | Ra | >80 | LED Warranty | G5h24 | Axis | 7200 cd |
| IK | IK08 | RG | RG1 | | | | |

Dimensional characteristics

| | |
|----|--------|
| ∅ | 260 mm |
| H | 116 mm |
| H2 | 161 mm |

Lighting and photometric features

| | |
|--------------------------------|---------------|
| Beam opening | 120° |
| Flux | 15000 lm |
| CCT nominal colour temperature | 4000 K |
| Colour of the light | Natural light |
| Colour rendering index | >80 |
| Lifespan | 50000 h |
| LED lifespan | L70B20 |

Electrical characteristics

| | |
|-----------------------|---------------|
| Rated power | 100 W |
| Input voltage | 220-240 Vac |
| Frequency | 50-60 Hz |
| Dimmable | Yes |
| Power factor (PF) | 0,9 |
| Operating temperature | -25°C / +45°C |

Photometry

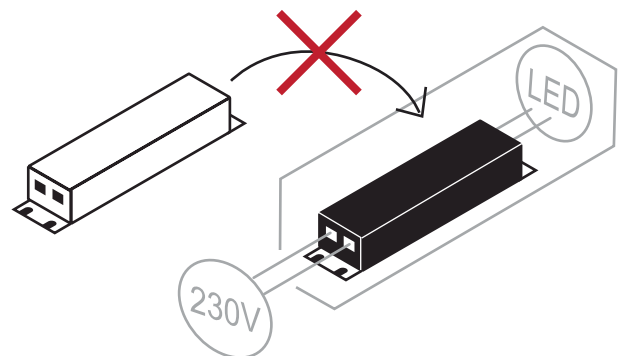
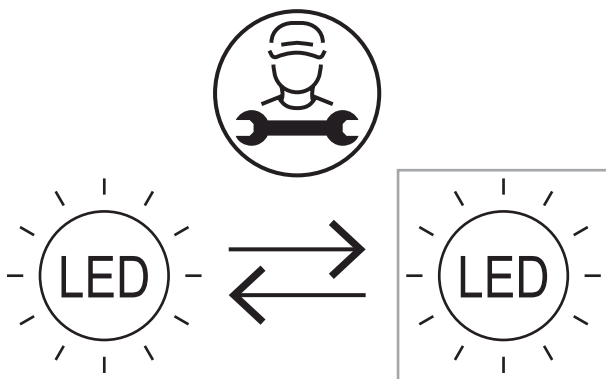


| | 4000K | H(m) | D(m) | E _{max} (lx) | |
|------------------------------------|------------------|--------|------|-----------------------|-----|
| | Ra80 | | 92° | | |
| Fixture Power | 100W | 1 | 2.08 | 7025 | |
| Source Flux | 15000lm | 2 | 4.16 | 1756 | |
| Fixture Flux | 15000lm | 3 | 6.24 | 781 | |
| Efficacy | 150lm/W | 4 | 8.31 | 439 | |
| 929459 I _{max} =468cd/klm | I _{max} | 7026cd | 5 | 10.39 | 281 |

EuLumDat file on the site

Other Infotech

| | |
|-----------------------------|--|
| Flicker Free | Yes |
| Light source replaceability | Replaceable (LED only) light source by a professional. |
| Control gear replaceability | Non-replaceable control gear. |



LED Warranty

| | |
|-------|---|
| G5h24 | Full Guarantee 5 years (24h/24h) Without limitations on the duration of use for the first year, provided the observance of the installation conditions. |
|-------|---|

European Directives

2009/125/EC * Ecodesign
 2011/65/EU * RoHS
 2012/19/EU * RAEE
 2014/30/EU * EMC (Compatibilità Elettromagnetica)
 2014/35/EU * LVD (Bassa Tensione)
 2015/863 * Amending RoHS
 2017/1369 * Regulation for Energy Labelling
 2019/2015 * Regulation for Energy Labelling
 2019/2020 * Regulation for Ecodesign
 2021/340 * Amending Reg. Energy Labelling
 2021/341 * Amending Reg. Ecodesign

Product standards

CEI EN 55015:2020 (+A11:2020)
 CEI EN 60598-1:2022
 CEI EN 60598-2-1:2022
 CEI EN 61000-3-2:2019 (+A1:2021)
 CEI EN 61000-3-3:2014 (+EC1:2014/+EC2:2016/+A1:2021/+A2:2022)
 CEI EN 61547:2010
 CEI EN 62031:2021 (+A11:2022)
 CEI EN 62471:2010
 IEC/TR 62471-2:2009
 CEI EN 62493:2015
 CEI 34-141:2014

Logistics data

| | |
|------------------------|---------------|
| Item net weight | 3000 gr |
| Barcode single item | 8011905938680 |
| Minimum order quantity | 1 |