

## Ceiling mounted occupancy detectors - 1-channel

### PD4-M-1C



white mat, similar to  
RAL9010 , Art.-Nr.: 92585

white mat, similar to  
RAL9010 , Art.-Nr.: 92580

white mat, similar to  
RAL9010 , Art.-Nr.: 92575

### Product Information

- Occupancy detector with extended detection area
- One potential-free (dry) contact
- Version as master device
- Detection area can be extended with slave devices
- Manual switching via push-button possible
- Additional functions can be set up using the optional remote control.
- Factory settings 10 min and 500 lux
- **Typical applications:**  
monitoring of large areas like underground garages, gyms, warehouses, loading ramps, halls

### Technical Data

<b>Voltage:</b>	110 - 240 V AC 50 / 60 Hz
<b>Dimensions:</b>	FM= Ø 104 x 70 mm SM= Ø 98 x 63 mm FC= Ø 97 x 103 mm
<b>Power consumption:</b>	approx. 0,4 W
<b>Detection area:</b>	vertical 360°
<b>Range:</b>	max. Ø 24 m across max. Ø 8 m towards max. Ø 6,4 m seated

<b>Monitored area (tangential movement):</b>	450 m <sup>2</sup> / 2,5 m mounting height
<b>Mounting height min./max./recommended:</b>	2 m / 10 m / 2,5 m
<b>Degree / class of protection:</b>	FM= IP20 / Class II SM= IP20 / Class II FC= IP20 / Class II
<b>Ambient temperature:</b>	-25 °C to +50 °C
<b>Housing:</b>	Polycarbonate, UV-resistant
<b>Channel 1 (lighting control, potential-free (dry))</b>	
<b>Switching power:</b>	2300 W, cos φ = 1 1150 VA, cos φ = 0,5 300 W LED max. inrush current I <sub>p</sub> (20 ms) = 165 A max. inrush current I <sub>p</sub> (200 μs) = 800 A
<b>Type of contact:</b>	1x μ-contact, dry NO contact with tungsten pre-make contact
<b>Follow-up time:</b>	15 sec - 30 min, Pulse
<b>Switch-on threshold:</b>	10 - 2000 Lux Mixed light measuring

---

## Description

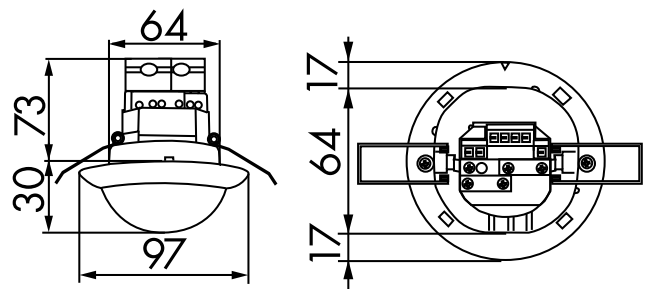
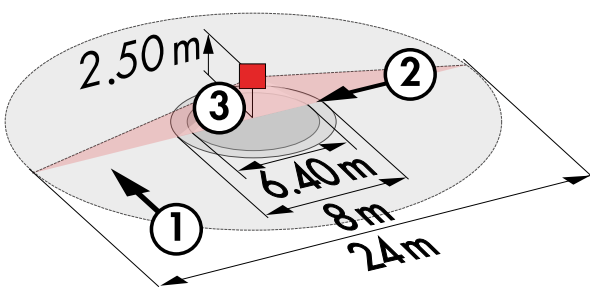
Description	Colour	Part number	EAN number
PD4-M-1C-FC	white mat, similar to RAL9010	92585	4007529925858
PD4-M-1C-SM	white mat, similar to RAL9010	92580	4007529925803
PD4-M-1C-FM	white mat, similar to RAL9010	92575	4007529925759

---

## Accessory

Description	Colour	Part number	EAN number
BLE-IR-Adapter	black	93067	4007529930678
IR-Adapter for Smartphones	black	92726	4007529927265
IR-PD-1C	-	92520	4007529925209
IR-PD-1C-E	-	92077	4007529920778
IR-PD-Mini	-	92159	4007529921591
Wire basket BSK (Ø 200 x 90 mm)	white	92199	4007529921997
RC-Arc extinction kit	white	10880	4007529108800

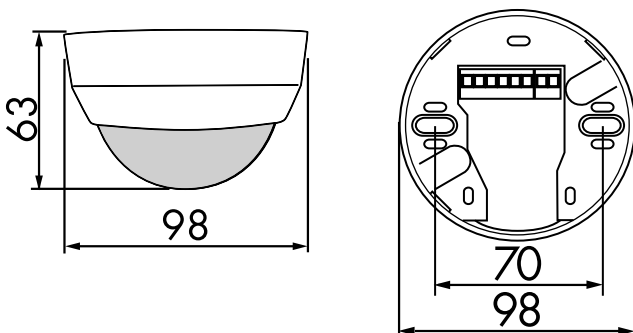
Description	Colour	Part number	EAN number
Mini-RC-Arc extinction kit	black	10882	4007529108824
SM socket IP54 for PD2- / PD4-SM	white	92161	4007529921614
Surface mounting socket (IP65) for PD4-SM IP20	white	92375	4007529923755
Square design frame PD4-FC	pure white mat, similar to RAL9010	92992	4007529929924



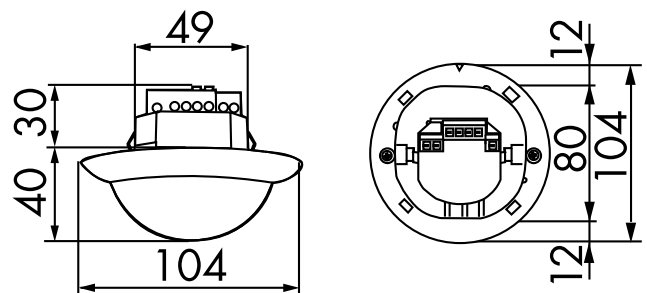
#### Range diagram

- 1: Walking across
- 2: Walking towards
- 3: Seated activity

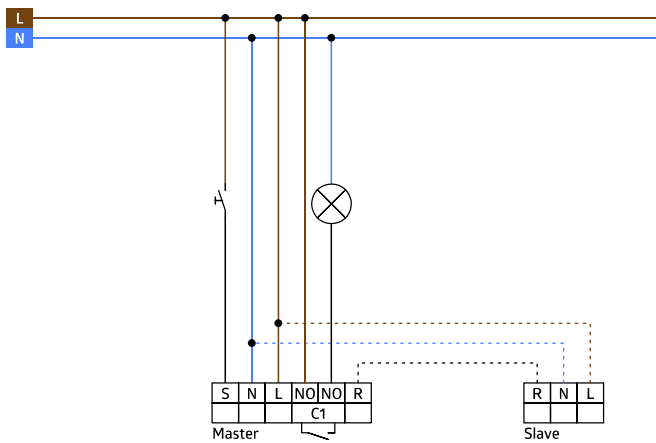
Dimensions 92585



Dimensions 92580



Dimensions 92575



Wiring diagram

© 2020 B.E.G. Brück Electronic GmbH