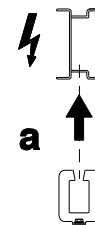
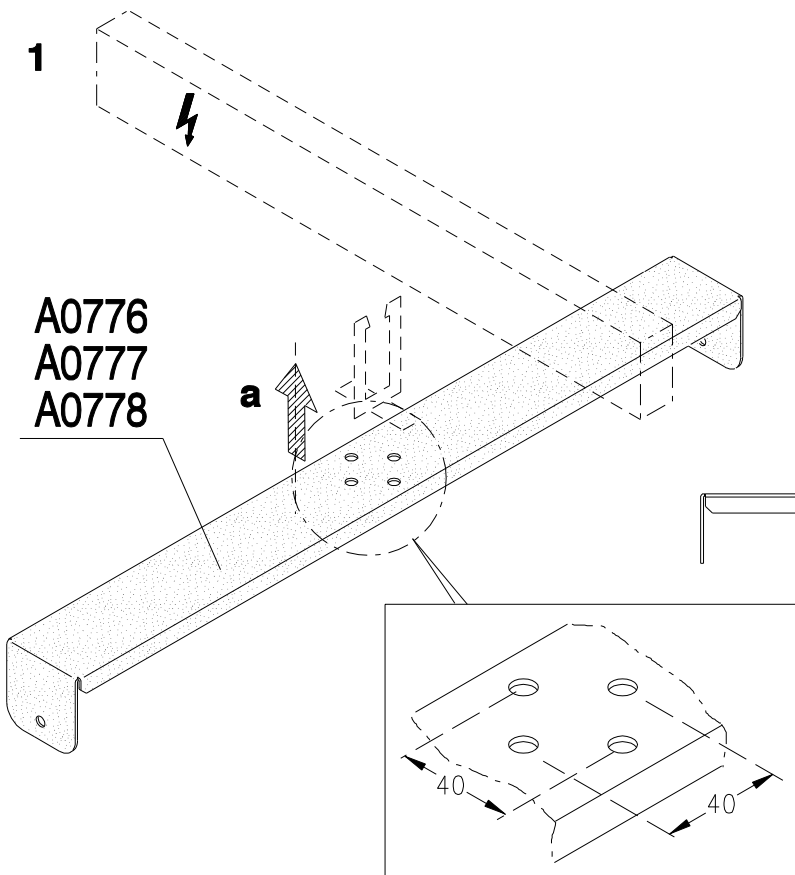
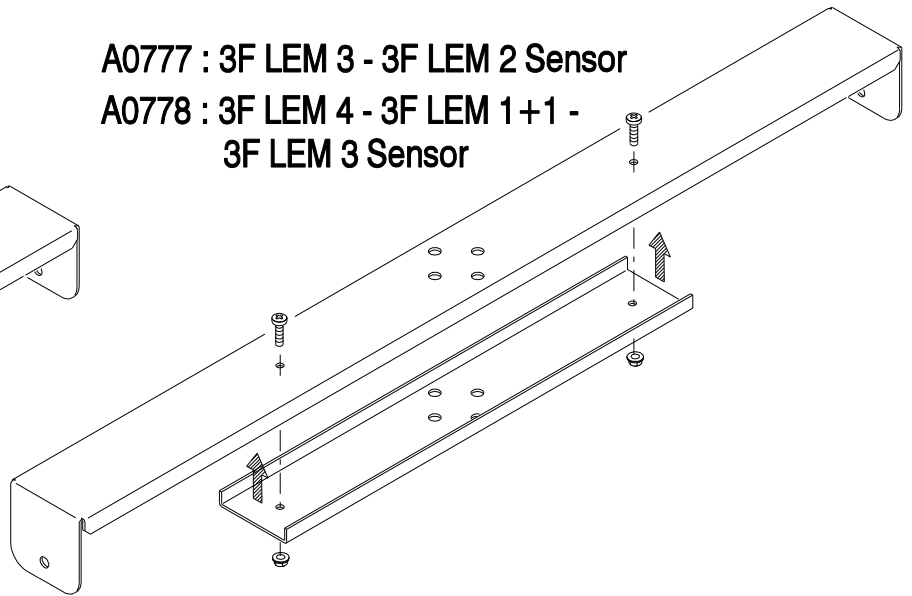
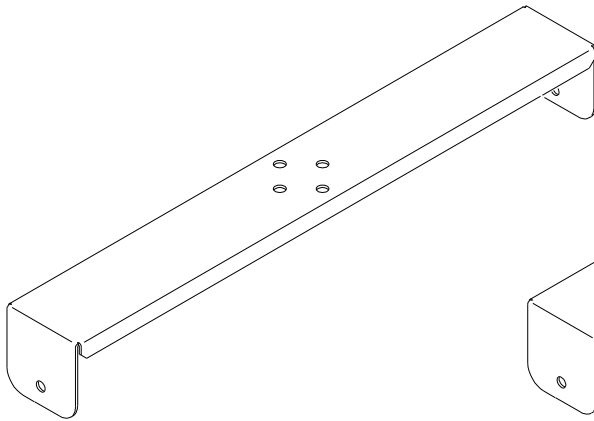


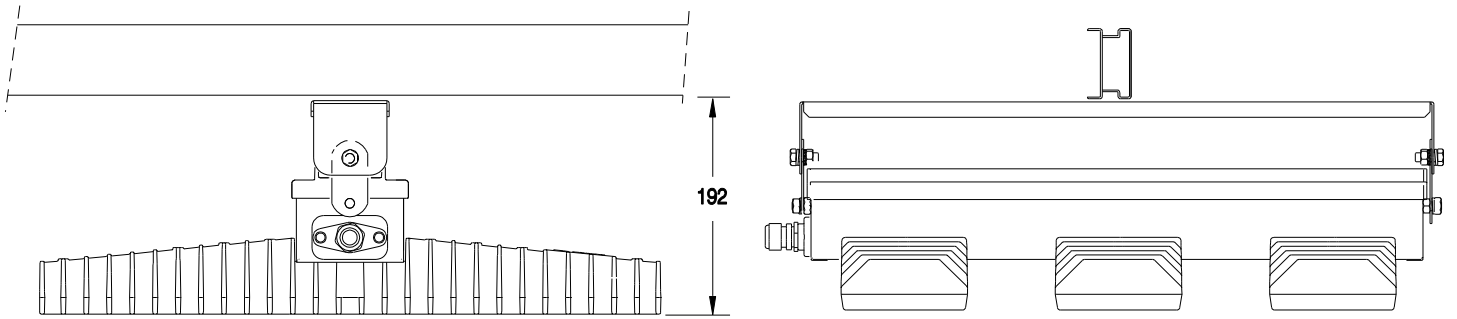
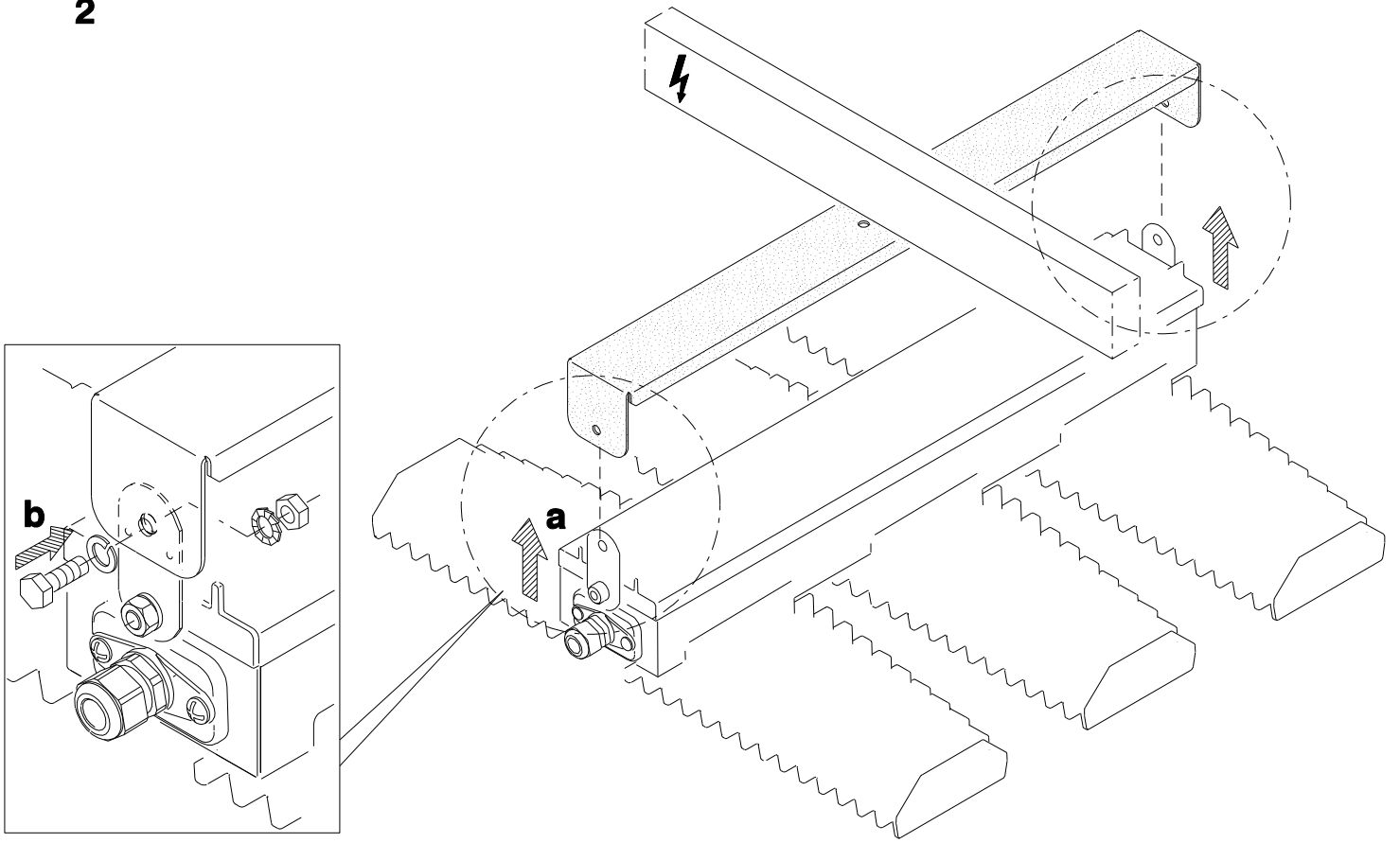
A0776 : 3F LEM 1 - 3F LEM 2

A0777 : 3F LEM 3 - 3F LEM 2 Sensor

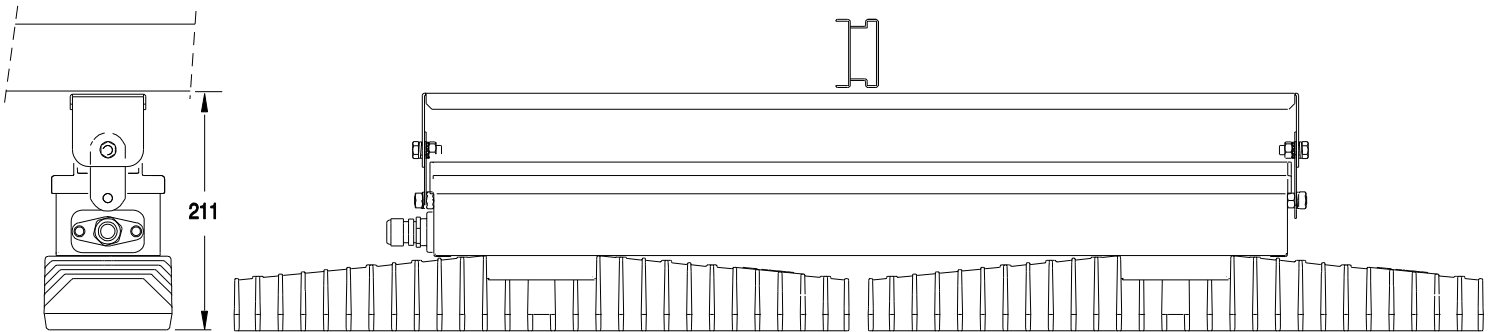
A0778 : 3F LEM 4 - 3F LEM 1+1 -  
3F LEM 3 Sensor



2



LEM 1 - LEM 2 - LEM 2 Sensor - LEM 3 - LEM 3 Sensor - LEM 4



LEM 1 + 1