



Product image may not represent the final configuration stated above.



Product Specification

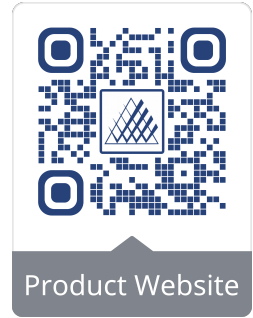


[DWL HoloPhane Website](#)

HoloPhane Denver iD: Wall consists of a 2-part body and a removable LED module manufactured from LM6 marine grade die-cast aluminum with integrated thermal management properties. The LED module optical arrangement consists of LEDs with individual PMMA optical lenses surrounded by a patented white Transition Zone to reduce perceived glare. This is sealed behind high-transparency 'hydrophilic' glass. Both luminaire body and LED module are sealed to IP65 and rated IK10. Drivers and LED are mounted separately from each other to promote low operating temperatures and long system life. Mounting of the luminaire is facilitated by mounting the back casting of luminaire to suitable surface. Cable entry and termination to the luminaire is via an 2 x IP65 M20 cable gland. International Dark-Sky Association Approved (colour temperatures 3000K or warmer are approved under the IDA).

This specific SKU includes:

- Series 1
- LED light engine producing c.2,000 lm with a nominal 4000°K colour temperature
- Long and Narrow light distribution
- Metallic Silver (RAL9006)
- 11W
- Enhanced paint finish
- DALI enabled (any on site controls wiring should be completed in compliance with the respective control system's installation instructions (and limitations). HoloPhane cannot be held responsible for the operation of its luminaires with third party control systems)



Performance

Drive Current from Driver:	360mA
Power:	10.3W
Fitting Current:	0.05A
Power Factor:	0.97
Fitting Inrush:	15A - 0.36ms
Number of Drivers:	1
1x Driver 1 Inrush:	15A - 0.36ms
Max Drivers per 16A Type B MCB:	23
Max Fittings per 16A Type B MCB:	23
Total Number of LEDs:	8
Minimum Dim Level:	19 %
THDi:	8.5
SVM:	0.07
Pst LM:	0.12
Optical Risk Group:	1

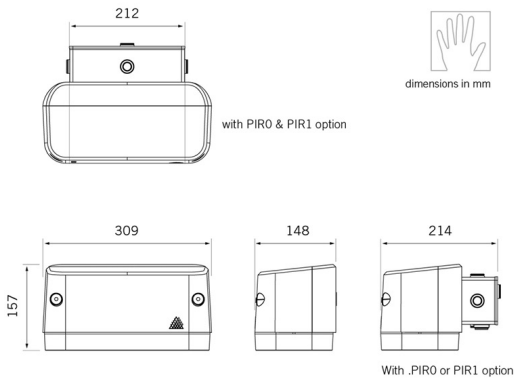


6.5Kg



[Installation Guide](#)

Dimensions



CIBSE TM66 - CEAM Rating

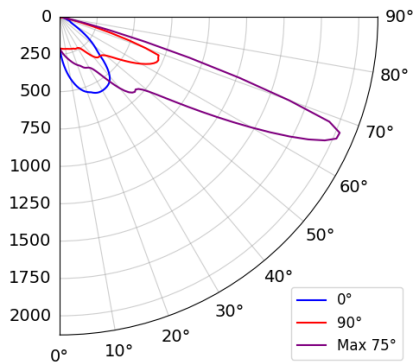
2.6*

2.5 to 4.0	1.5 to 2.5	0.5 to 1.5	0 to 0.5
Excellent circularity	Definite/ substantial progress to circularity	Some circular economy functionality	Very poor circular economy performance

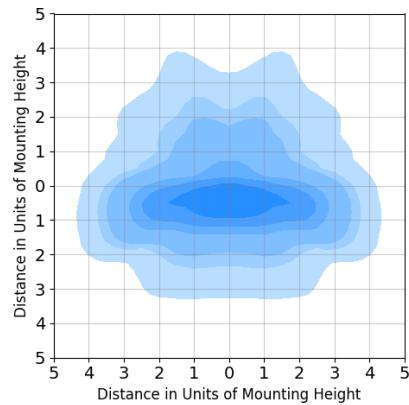
*Preliminary Rating

Photometry [↓ IES File](#)

Polar Plot



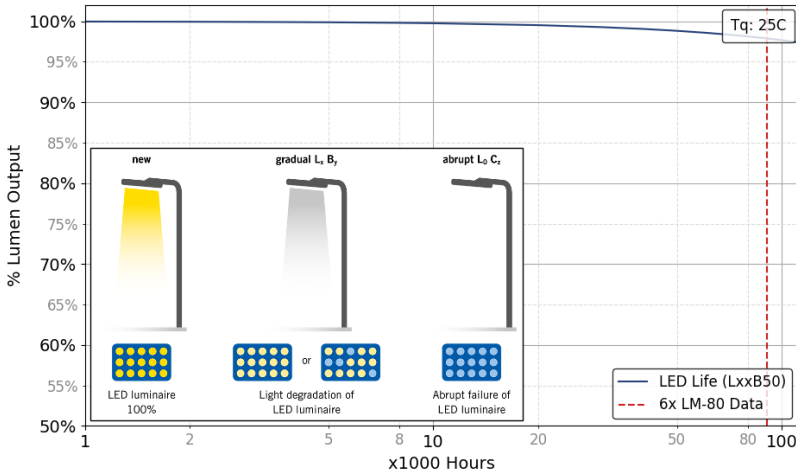
Isoillumination Plot



Lumens:	1,541
CCT:	4000K
CRI:	70
IES File:	DWL.1.LAO24.NR.W011
G-Class:	G*3 Imax @ ☒ 70°: 1059 Imax @ ☒ 80°: 34 Imax @ ☒ 90°: 0

LLMF Graph

Colour Temperatures



2700K

3000K

▶ 4000K

For reference purposes, the graph extrapolates beyond the recommend 6x LM-80 data in TM-21, which our calculations are based on.

Colours

Selected Colour

C9 Metallic Silver (RAL9006)

Standard Colours Available

C1 Smooth White (RAL9016)

C4 Smooth Graphite (RAL7011)

C6 Smooth Grey (RAL7035)

C7 Textured Black (RAL9005)

C9 Metallic Silver (RAL9006)

Custom Colour Available

RAL **** Customer specified colour

*Choosing a custom colour may increase the cost and lead time.

Lumen data is considered to be representative of the configuration shown, and may vary, with a tolerance on flux of +/- 7% (typical of LED manufacturer's data) and luminaire power of +/- 5%.

The specifications of the Holophane luminaires represents typical values. All descriptions, illustrations, drawings and specifications in the Holophane catalogue, Datasheets and website represent only general particulars of the goods to which they apply and shall not form part of any contract. The company reserves the right to change specifications at its discretion without prior notification or public announcement.